



LED Edge-Lit Flat Panels

High Efficiency Series

ASD LED Edge Lit Flat Panels High Efficiency Series are a modern cutting-edge fixture producing 110 lm/W. Our edge-lit panels measure only ½ " thick making us one of the slimmest panels in the marketplace today. The main advantages of our UL and DLC LED panels are that they are high-efficiency panels absent of hazardous materials and are maintenance-free.

Our LED panels are an ideal choice to reduce energy costs in commercial and residential applications. They are widely used in offices, schools, hospitals, retail stores and airports.

ASD LED Edge Lit Flat Panels High Efficiency Series have low energy consumption, long life and sustainable light with no shadows. They can be mounted in a recessed, suspended or surface application.



FEATURES AND BENEFITS:

- ▶ Contemporary design
- ▶ Available in 2x2, 1x4 and 2x4 sizes
- ▶ Standard 0~10 V dimming
- ▶ High luminous efficiency 110 lm/W
- ▶ Low energy consumption
- ▶ Light guide plate technology with side glow
- ▶ White frame
- ▶ LED luminaire for recessed, suspended or surface mount
- ▶ cULus certified
- ▶ DesignLights™ Consortium (DLC) listed
- ▶ LED lifetime >100,000 hrs
- ▶ 5-year limited warranty



ORDERING MATRIX

| Family | Size | Dimmable 0~10 V | Watts | CCT | Luminous Efficiency |
|----------------|----------------------|-----------------|------------------|--|---------------------|
| ASD-ELP | XX | D | XX | XX | HE |
| Edge-Lit Panel | 14 = type 1x4 | Dimmable | 22 = 22 W | 35 = 3500 K | High efficiency |
| | 22 = type 2x2 | | 27 = 27 W | 40 = 4000 K | |
| | 24 = type 2x4 | | 40 = 40 W | 50 = 5000 K 65 = 6500 K | |



LED Edge-Lit Flat Panels

High Efficiency Series

LED EDGE-LIT PANEL:

| Model | Type | Watts | Dimming | CCT | Lumens | Dimensions (LxWxH) | Certificate |
|------------------|------|-------|---------|--------|----------|--------------------|-------------------|
| ASD-ELP22D2235HE | 2x2 | 22 W | yes | 3500 K | 2 380 lm | 23.8"x23.8"x0.6" | UL, DLC, FCC |
| ASD-ELP22D2240HE | 2x2 | 22 W | yes | 4000 K | 2 386 lm | 23.8"x23.8"x0.6" | UL, DLC, FCC |
| ASD-ELP22D2250HE | 2x2 | 22 W | yes | 5000 K | 2 477 lm | 23.8"x23.8"x0.6" | UL, DLC, FCC |
| ASD-ELP22D2735HE | 2x2 | 27 W | yes | 3500 K | 3 056 lm | 23.8"x23.8"x0.6" | UL, DLC, FCC, T24 |
| ASD-ELP22D2740HE | 2x2 | 27 W | yes | 4000 K | 3 131 lm | 23.8"x23.8"x0.6" | UL, DLC, FCC, T24 |
| ASD-ELP22D2750HE | 2x2 | 27 W | yes | 5000 K | 3 166 lm | 23.8"x23.8"x0.6" | UL, DLC, FCC, T24 |
| ASD-ELP22D2765HE | 2x2 | 27 W | yes | 6500 K | 3 208lm | 23.8"x23.8"x0.6" | UL, DLC, FCC |
| ASD-ELP14D2735HE | 1x4 | 27 W | yes | 3500 K | 3 054 lm | 11.8"x47.8"x0.6" | UL, DLC, FCC |
| ASD-ELP14D2740HE | 1x4 | 27 W | yes | 4000 K | 3 120 lm | 11.8"x47.8"x0.6" | UL, DLC, FCC |
| ASD-ELP24D4035HE | 2x4 | 40 W | yes | 3500 K | 4 372 lm | 23.8"x47.8"x0.6" | UL, DLC, FCC, T24 |
| ASD-ELP24D4040HE | 2x4 | 40 W | yes | 4000 K | 4 413 lm | 23.8"x47.8"x0.6" | UL, DLC, FCC, T24 |
| ASD-ELP24D4050HE | 2x4 | 40 W | yes | 5000 K | 4 490 lm | 23.8"x47.8"x0.6" | UL, DLC, FCC, T24 |
| ASD-ELP24D4065HE | 2x4 | 40 W | yes | 6500 K | 4 530 lm | 23.8"x47.8"x0.6" | UL, DLC, FCC |

LED DRIVER:

| Model | Watts | Dimming | Input Voltage | Output Voltage | Max Current | Power Factor | Dimensions (L x W x H) |
|------------|-------|---------|---------------|----------------|-------------|--------------|------------------------|
| ASD-BLP22D | 22 W | 0~10 V | 100-277 V | 30-42 V | 550 mA | ≥ 0.9 | 4.1" x 11" x 1.8" |
| ASD-BLP27D | 27 W | 0~10 V | 100-277 V | 30-42 V | 700 mA | ≥ 0.9 | 4.1" x 11" x 1.8" |
| ASD-BLP40D | 40 W | 0~10 V | 100-277 V | 30-42 V | 1050 mA | ≥ 0.9 | 4.1" x 11" x 1.8" |



LED Edge-Lit Flat Panels

High Efficiency Series

PRODUCT SPECIFICATIONS:

| Construction & Materials | | | | |
|--------------------------|------------------------|------------------|-------------------|-------------------|
| Housing | Aluminum | | | |
| Lens | Translucent white PMMA | | | |
| Lens Type | Frosted | | | |
| Finish Color | White | | | |
| Weight (Panel+Driver) | ASD-ELP22D2235HE | ASD-ELP22D2735HE | ASD-ELP14D2735HE | ASD-ELP24D4035HE |
| | ASD-ELP22D2240HE | ASD-ELP22D2740HE | ASD-ELP14D2740HE | ASD-ELP24D4040HE |
| | ASD-ELP22D2250HE | ASD-ELP22D2750HE | | ASD-ELP24D4050HE |
| | | ASD-ELP22D2765HE | | ASD-ELP24D4065HE |
| | 12 lbs (5.4 kg) | 12 lbs (5.4 kg) | 12.4 lbs (5.6 kg) | 20.6 lbs (9.3 kg) |

| Environmental System | |
|-----------------------|--|
| Work Environment | Indoor use (applicable for dry environments) |
| Operating Temperature | 14+104°F (-10+40°C) |
| Humidity | 20% - 85% RH, non condensing |
| L70 Life | 50,000 hrs |
| LED lifetime | >100,000 hrs |

| Optical System | | | | |
|---------------------|--------------------------------|----------|------------------|----------|
| Luminous Flux | ASD-ELP22D2235HE | 2 380 lm | ASD-ELP14D2735HE | 3 054 lm |
| | ASD-ELP22D2240HE | 2 386 lm | ASD-ELP14D2740HE | 3 120 lm |
| | ASD-ELP22D2250HE | 2 477 lm | ASD-ELP24D4035HE | 4 372 lm |
| | ASD-ELP22D2735HE | 3 056 lm | ASD-ELP24D4040HE | 4 413 lm |
| | ASD-ELP22D2740HE | 3 131 lm | ASD-ELP24D4050HE | 4 490 lm |
| | ASD-ELP22D2750HE | 3 166 lm | ASD-ELP24D4065HE | 4 530 lm |
| | ASD-ELP22D2765HE | 3 208 lm | | |
| Luminous Efficiency | 110 lm/W | | | |
| Color Temperature | 3500 K, 4000 K, 5000 K, 6500 K | | | |
| CRI | 80 | | | |



LED Edge-Lit Flat Panels

High Efficiency Series

| Electrical System | | | | |
|-------------------|--|--|--------------------------------------|--|
| Input Voltage | 100~277VAC 50/60 Hz | | | |
| Off State Power | 0 W | | | |
| Power Consumption | ASD-ELP22D2235HE ASD-ELP22D2240HE ASD-ELP22D2250HE | ASD-ELP22D2735HE ASD-ELP22D2740HE ASD-ELP22D2750HE ASD-ELP22D2765HE | ASD-ELP14D2735HE ASD-ELP14D2740HE | ASD-ELP24D4035HE ASD-ELP24D4040HE ASD-ELP24D4050HE ASD-ELP24D4065HE |
| | 22 W | 27 W | 27W | 40 W |
| Power Factor | ≥ 0.9 | | | |
| THD | < 20% | | | |
| Output voltage | 30~42 V | | | |
| Max current | ASD-ELP22D2235HE ASD-ELP22D2240HE ASD-ELP22D2250HE | ASD-ELP22D2735HE ASD-ELP22D2740HE ASD-ELP22D2750HE ASD-ELP22D2765HE | ASD-ELP14D2735HE ASD-ELP14D2740HE | ASD-ELP24D4035HE ASD-ELP24D4040HE ASD-ELP24D4050HE ASD-ELP24D4065HE |
| | 500 mA | 700 mA | 700 mA | 1050 mA |

| Control | |
|---------------------|-----------------------------------|
| Dimming Switch | Standard 0~10 V dimming 5% - 100% |
| Linking Lengths/Qty | 15 cable feet x 20 panels |

| Regular and Voluntary Certifications | |
|---------------------------------------|---|
| 5-year limited warranty | |
| DesignLights™ Consortium (DLC) listed | |
| cULus certified | E473804 - Suspended/Surface mounted panel E473854 - Recessed mounted panel E473855 - Driver |

Dimming Compatible Controls

| MFG | Model Number |
|---------|--------------|
| Lutron | NFTV |
| Leviton | IPL710 DLZ |
| Leviton | IPL710 DL |
| Cooper | SF10P-W |



LED Edge-Lit Flat Panels

High Efficiency Series

LED EDGE-LIT PANEL ORDERING INFORMATION:

| Model | Type | Watts | CCT | GTIN 12 | GTIN 14 | Product Code | Pcs in one Carton | Carton Size | Carton Weight |
|------------------|------|-------|--------|--------------|----------------|--------------|-------------------|------------------|---------------|
| ASD-ELP22D2235HE | 2x2 | 22 W | 3500 K | 859961005612 | 10859961005619 | 021.0115 | 4 | 25.4"x25.4"x4.9" | 48.8 lbs |
| ASD-ELP22D2240HE | 2x2 | 22 W | 4000 K | 859961005438 | 10859961005435 | 021.0109 | 4 | 25.4"x25.4"x4.9" | 48.8 lbs |
| ASD-ELP22D2250HE | 2x2 | 22 W | 5000 K | 859961005445 | 10859961005442 | 021.0110 | 4 | 25.4"x25.4"x4.9" | 48.8 lbs |
| ASD-ELP22D2735HE | 2x2 | 27 W | 3500 K | 859961005629 | 10859961005626 | 021.0113 | 4 | 25.4"x25.4"x4.9" | 48.8 lbs |
| ASD-ELP22D2740HE | 2x2 | 27 W | 4000 K | 859961005452 | 10859961005459 | 021.0107 | 4 | 25.4"x25.4"x4.9" | 48.8 lbs |
| ASD-ELP22D2750HE | 2x2 | 27 W | 5000 K | 859961005469 | 10859961005466 | 021.0108 | 4 | 25.4"x25.4"x4.9" | 48.8 lbs |
| ASD-ELP22D2765HE | 2x2 | 27 W | 6500 K | 859961005636 | 10859961005633 | 021.0116 | 4 | 25.4"x25.4"x4.9" | 48.8 lbs |
| ASD-ELP14D2735HE | 1x4 | 27 W | 3500 K | 859961005643 | 10859961005640 | 021.0119 | 4 | 49.4"x13.4"x4.9" | 50.3 lbs |
| ASD-ELP14D2740HE | 1x4 | 27 W | 4000 K | 859961005650 | 10859961005657 | 021.0117 | 4 | 49.4"x13.4"x4.9" | 50.3 lbs |
| ASD-ELP24D4035HE | 2x4 | 40 W | 3500 K | 859961005667 | 10859961005664 | 021.0114 | 2 | 49.4"x25.4"x3" | 44.8 lbs |
| ASD-ELP24D4040HE | 2x4 | 40 W | 4000 K | 859961005476 | 10859961005473 | 021.0111 | 2 | 49.4"x25.4"x3" | 44.8 lbs |
| ASD-ELP24D4050HE | 2x4 | 40 W | 5000 K | 859961005483 | 10859961005480 | 021.0112 | 2 | 49.4"x25.4"x3" | 44.8 lbs |
| ASD-ELP24D4065HE | 2x4 | 40 W | 6500 K | 859961005674 | 10859961005671 | 021.0118 | 2 | 49.4"x25.4"x3" | 44.8 lbs |

LED DRIVER ORDERING INFORMATION:

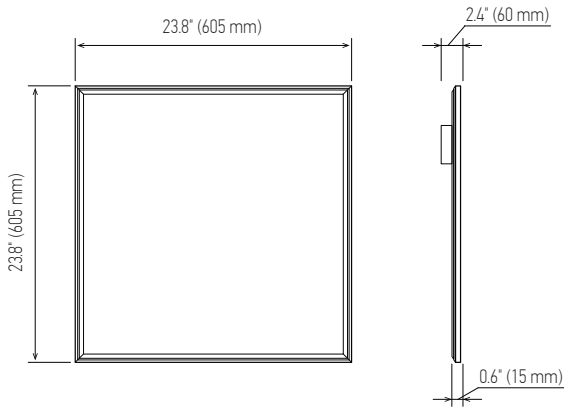
| Model | Watts | GTIN 12 | GTIN 14 | Product Code | Pcs in one Carton | Carton Size | Carton Weight |
|------------|-------|--------------|----------------|--------------|-------------------|---------------|---------------|
| ASD-BLP22D | 22 W | 859961005490 | 10859961005497 | 027.0104 | 4 | 12"x9.5"x5.1" | 6.5 lbs |
| ASD-BLP27D | 27 W | 859961005506 | 10859961005503 | 027.0103 | 4 | 12"x9.5"x5.1" | 6.5 lbs |
| ASD-BLP40D | 40 W | 859961005162 | 10859961005169 | 027.0101 | 4 | 12"x9.5"x5.1" | 6.5 lbs |



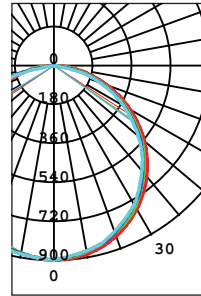
LED Edge-Lit Flat Panels

High Efficiency Series

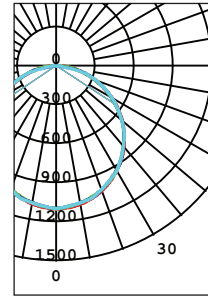
Type 2x2



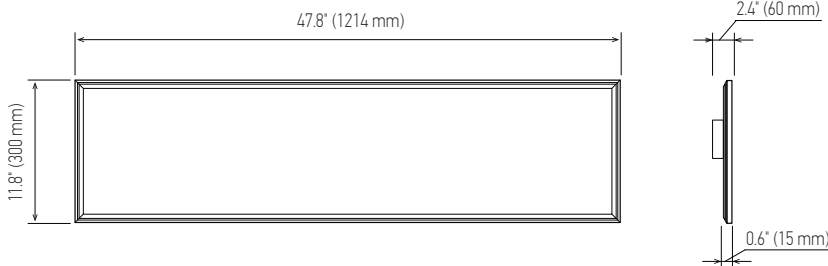
ASD-ELP22D2235HE
 ASD-ELP22D2240HE
 ASD-ELP22D2250HE



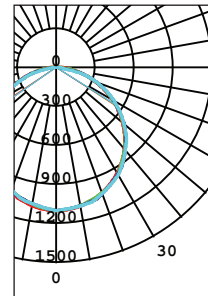
ASD-ELP22D2735HE
 ASD-ELP22D2740HE
 ASD-ELP22D2750HE
 ASD-ELP22D2765HE



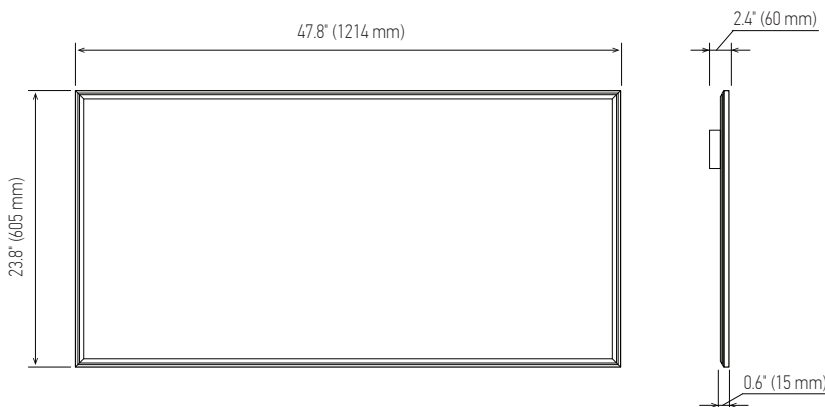
Type 1x4



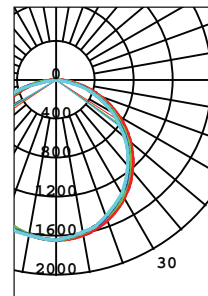
ASD-ELP14D2735HE
 ASD-ELP14D2740HE



Type 2x4



ASD-ELP24D4035HE
 ASD-ELP24D4040HE
 ASD-ELP24D4050HE
 ASD-ELP24D4065HE





LED Edge-Lit Flat Panels

High Efficiency Series

⚠️ WARNING

RISK OF PERSONAL INJURY – READ and follow all WARNINGS and installation instructions.

Keep or give to the owner for future reference.

Risk of cuts: Wear gloves to prevent cuts or abrasions when removing from carton, handling, installing, and maintaining this product.

Risk of electric shock: This product must be installed in accordance with the applicable installation code by a person familiar with the construction and operation of the product and the hazards involved.

Risk of Fire: Minimum 90°C supply conductors. Consult a qualified electrician to ensure correct branch circuit conductor.

ASD® assumes no responsibility for claims arising out of improper or careless installation or handling of this product.

For recessed installation: Access above ceiling required. Inherently protected. Vapor barrier must be suitable for 90°C. Type IC.

⚠️ AVERTISSEMENT

RISQUE DE BLESSURES - Lisez et suivez toutes les MISES EN GARDE et les instructions d'installation.

Tenir ou fournir au propriétaire pour référence future.

Risque de coupures: Porter des gants pour éviter les coupures ou des écorchures lors du retrait du carton, de la manutention, l'installation et le maintien de ce produit.

Risque de choc électrique: Ce produit doit être installé conformément au code d'installation applicable par une personne familiarisée avec la construction et l'exploitation du produit et les risques impliqués.

Risque d'incendie: minimum 90° C Alimentation conducteurs. Consultez un électricien qualifié pour assurer le bon conducteur de circuit de dérivation.

ASD® n'assume aucune responsabilité pour les réclamations découlant d'une installation inadéquate ou négligente ou de la manipulation de ce produit.

Pour installation encastré: Accès-dessus du plafond nécessaire. Intrinsèquement protégé. Barrière de vapeur doit être adapté à 90°C. Tapez IC.

⚠️ ADVERTENCIA

RIESGO DE LESIONES PERSONALES – Lea y siga todas las advertencias e instrucciones de instalación.

Mantener o proporcionar al propietario para referencia futura.

Riesgo de cortes: Use guantes para evitar cortes o abrasiones en la eliminación de la caja, manejo, instalación y mantenimiento de este producto.

Riesgo de choque eléctrico. Este producto debe ser instalado de acuerdo con el código de Instalación aplicable en que una persona familiarizada con la construcción y operación del producto y los riesgos involucrados.

Riesgo de Incendio: Mínimo 90° C los conductores de suministro. Consulte a un electricista calificado para asegurarse el conductor correcto del circuito.

ASD® no asume ninguna responsabilidad por reclamaciones derivadas de una instalación inadecuada o negligente o la manipulación de este producto.

Para instalación empotrada: Acceso por encima del techo requerido. Inherentemente protegida. Barrera de vapor debe ser adecuado para 90°C. Escriba IC.



LED Edge-Lit Flat Panels

High Efficiency Series

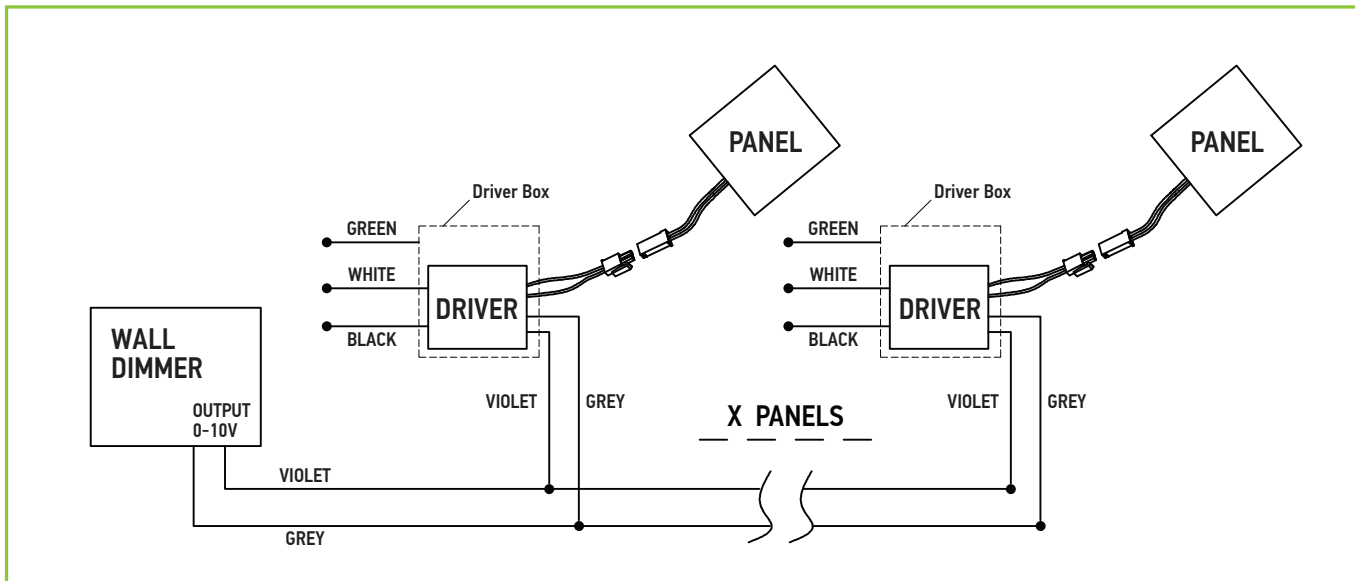
INSTALLATION GUIDE

IMPORTANT SAFETY INFORMATION:

Please read all the instructions below before installation.

- ▶ Make sure that the supply voltage corresponds to the rated product voltage.
- ▶ The product is designed for indoor use only.
- ▶ The product must be installed by a qualified electrician in accordance with the National Electrical Code and corresponding local codes.
- ▶ If the product is damaged, do not use it.
- ▶ The panel should be used with the LED Driver.

WIRE DIAGRAM OF DIMMER CONNECTION



MASTER / SATELLITE DEFINITION:

Each panel can be wired as a Master/Satellite panel. During mounting, one fixture in the room should be wired as a Master, and the others in the room should be wired as Satellites.

Up to 20 panels can be linked to each master panel. Total power of LED Panels shall not exceed the wattage of dimmer.

BUILDING AUTOMATION COMPATIBLE:

Multiple panels can also be controlled from a single source. The panels can be linked to building automation systems. The driver can be remote-mounted at a distance of not more than 1.5m from the panel.



LED Edge-Lit Flat Panels

High Efficiency Series

INSTALLATION STEPS

ASSEMBLING PANEL

1. Turn off the main power.

Connect the connector between LED Panel and output of LED Driver.

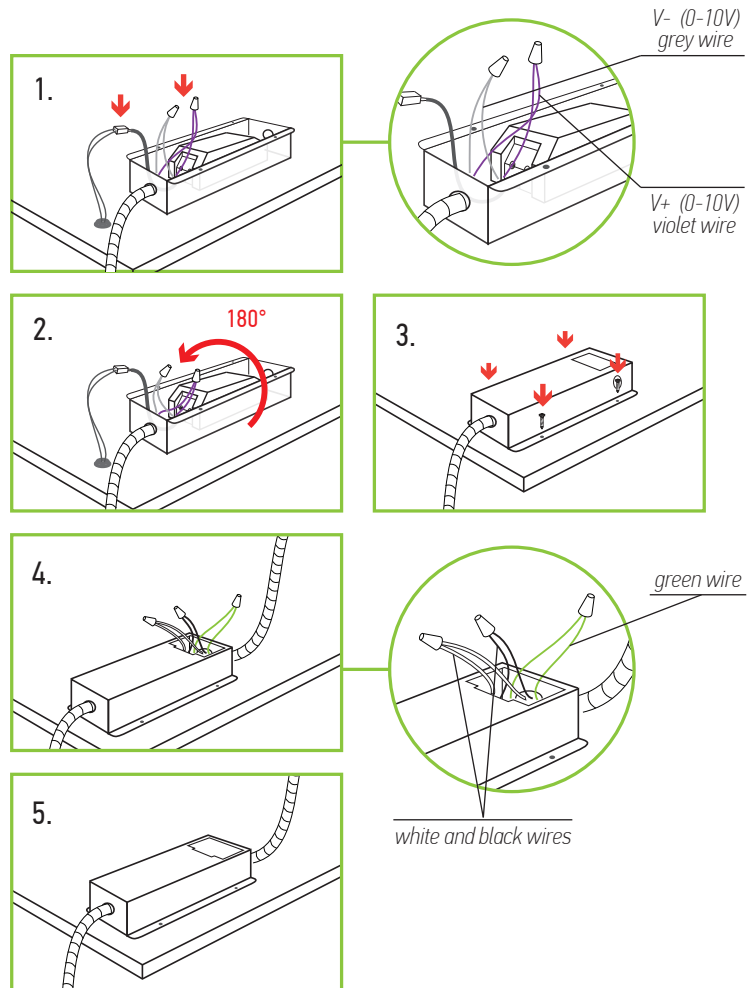
Insert the MC cable into the knock out hole of the junction box and connect the 0-10V signal lines to the junction box through the MC cable.

2. Turn over the driver box.

3. Fix the driver box on the panel with screws.

4. Open the lid of the junction box insert the MC cable into the knock out hole on the other side of the junction box and connect the power cord to the junction box through the MC cable.

5. Tidy up the wires into the driver box, and then fix the lid with screw.





LED Edge-Lit Flat Panels

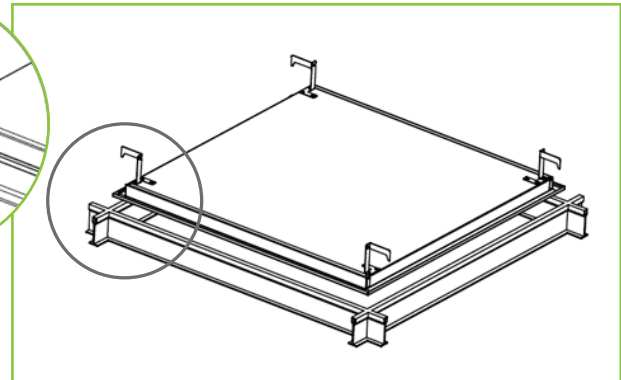
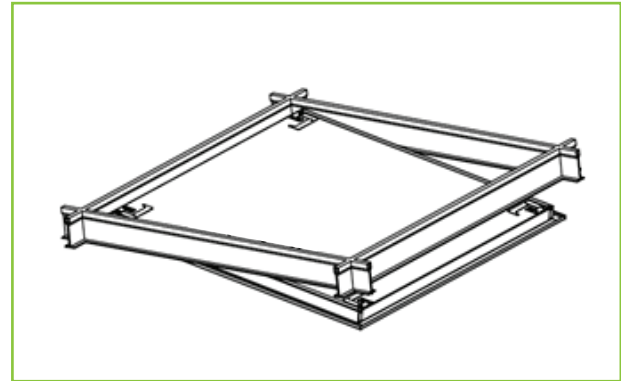
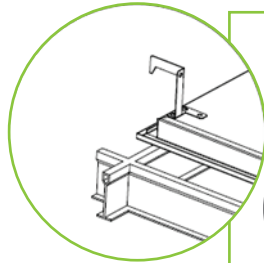
High Efficiency Series

RECESSED MOUNT

1. Choose the ceiling panel where you want to install the product, and remove it. For convenience, move adjacent ceiling tiles.

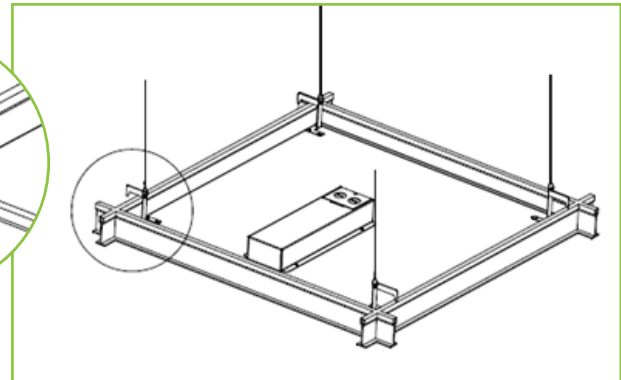
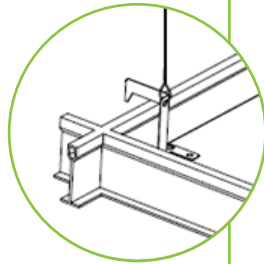
2. Fix the LED Panel into the ceiling: raise up the product above the bar, then place it on T-bars.

Two bend points for all four tabs



3. Secure the panel with the grid as shown in the picture.

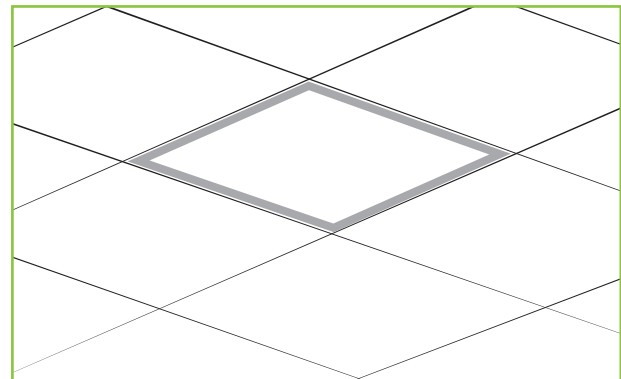
Ensure the tab is securely attached to the grid



4. Assemble the panel and connect wires as shown in "Assembling panel".

5. Return the adjacent ceiling tiles to their places.

6. Turn on the main power. Installation is finished.



Compatible with grid size

| | | |
|--------|--------|----------------|
| | | |
| 15/16" | Slot T | 15/16" Tegular |



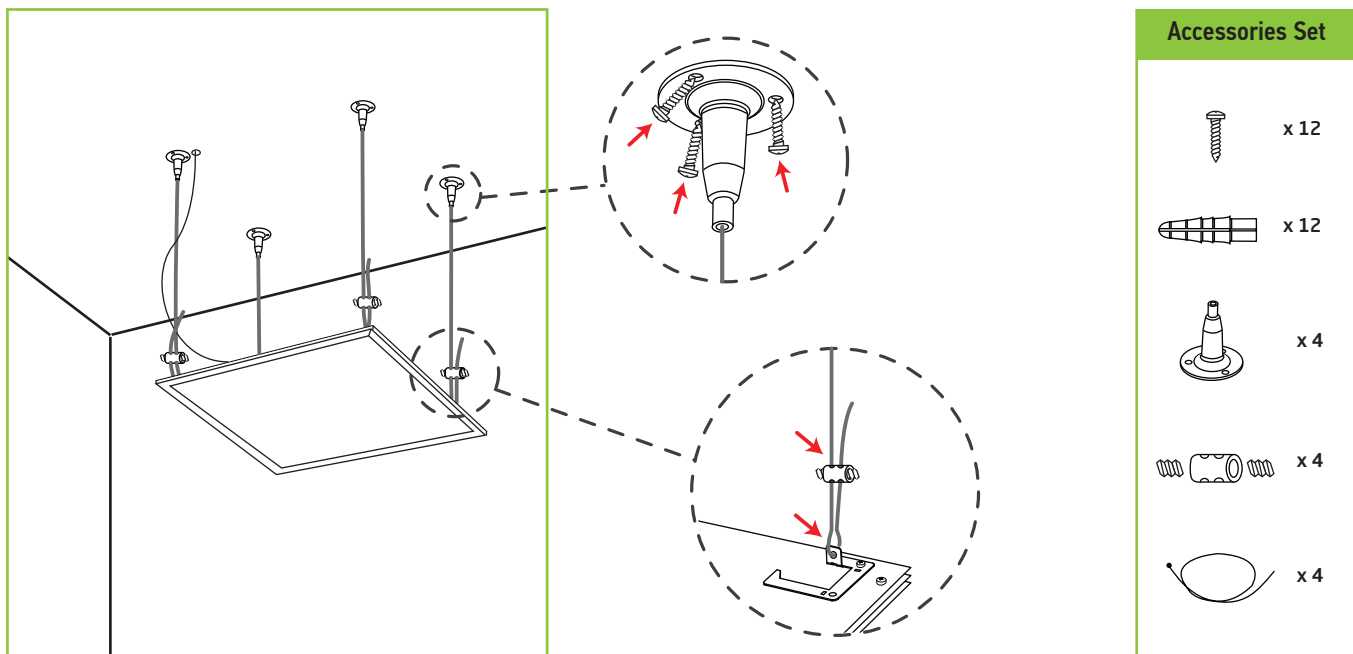
LED Edge-Lit Flat Panels

High Efficiency Series

SUSPENDED MOUNT

(only for 2x2 and 1x4 LED Edge-Lit flat panels):

1. Make sure that the ceiling can hold the weight of the LED panel and install ceiling brackets suitable to support the weight of the LED panel. Affix cables.
2. Gather panel and connect the wires as shown in "Assembling panel".
3. Attach the suspended cables to the bends at the edges of the LED flat panel.
4. Turn on the main power. Installation is finished.



Accessories for suspended mount are sold separately.

CEILING HANGING SET ORDERING INFORMATION:

| GTIN 12 | Model Number |
|--------------|--------------|
| 859961005148 | ASD-CHS4 |



LED Edge-Lit Flat Panels

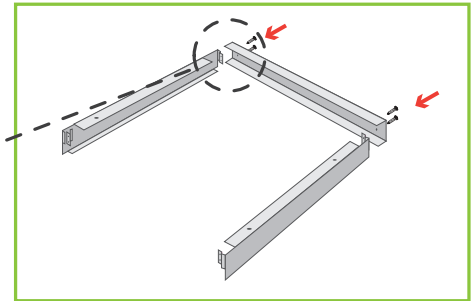
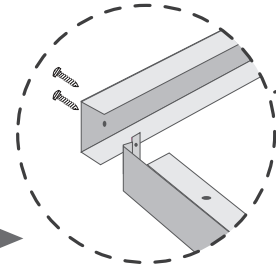
High Efficiency Series

SURFACE MOUNT

Wall/ceiling mount:

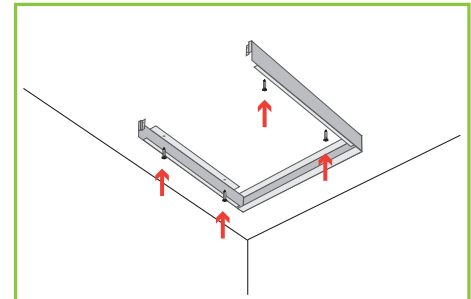
1. Put the pieces of frame to any horizontal surface.
2. Fix two of these three pieces of

Connect three pieces and fix them with screws.

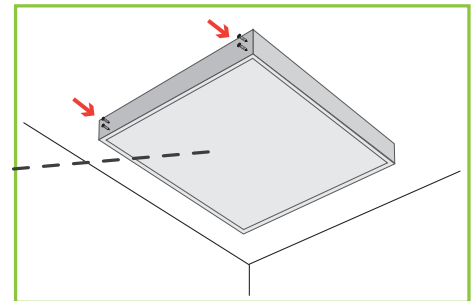
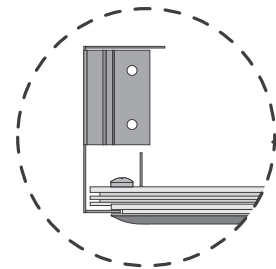


frame (those ones that are parallel and that have corresponding holes in them) to the ceiling with four screws.

3. Gather panel and connect the wires as shown in "Assembling panel".



Insert the panel into the frame formed by three connected pieces



4. Close it with the fourth piece, fix this piece to other ones with screws.
5. Turn on the main power. Installation is complete.

Accessories for surface mount are sold separately.

FRAME FOR SURFACE MOUNTING ORDERING INFORMATION:

| GTIN 12 | Model Number | Panel Size |
|--------------|--------------|------------|
| 859961005315 | ASD-FELP22 | 2x2 |
| 859961005322 | ASD-FELP14 | 1x4 |
| 859961005339 | ASD-FELP24 | 2x4 |